



Bronze Lift Check Valve

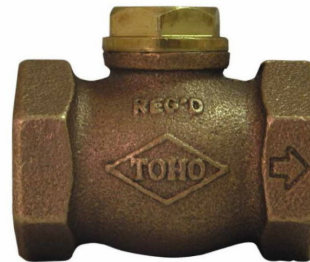
150psi saturated steam to 185°C or 365°F
300psi non-shock cold water, oil or gas

Feature:

1. Vertical lifttype
2. Bronze (metal) disc
3. Connected ends comply to NPT(ANSI B1.20.1), BSPT(BS21.0), BSPF

Dimension

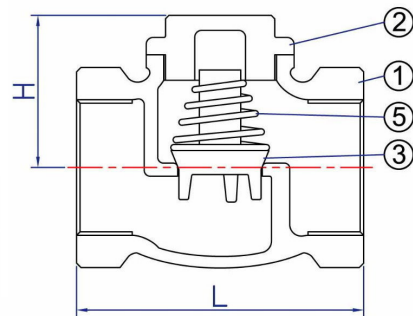
Size	H	L
1/4"	28.0	45.0
3/8"	28.0	45.0
1/2"	30.0	50.0
3/4"	32.0	57.0
1"	41.0	65.0
1.1/4"	45.0	75.0
1.1/2"	50.0	85.0
2"	58.0	99.0
2.1/2"	76.0	120.0
3"	93.0	135.0
4"	105.0	153.0



ST-402

Parts & Material

1 Body		Cast Bronze
2 Bonnet	1/4"~3/4"	Brass
	1"~4"	Cast Bronze
3 Disc	1/4"~1"	Brass
	1-1/4"~4"	Cast Bronze
4 Seat Ring (Option)	1/4"~2"	PTFE (Teflon)
		Rubber (N.B.R.)
		O-Ring (N.B.R.)
5 Spring (Option)	1/4"~2"	ASTM B159
		SUS304
11 Gland	2-1/2"~4"	Brass



Working Pressures

		psi	
Working pressure (Non shock)		Test pressure	
Saturated Steam	Cold water, Oil, Gas	Shell	Seat
150	300	450	80

Packing

1/4"	3/8"	1/2"	3/4"	1"	1-1/4"	1-1/2"	2"	2-1/2"	3"	4"	
100	100	160	120	70	35	30	20	10	8	4	pcs
17	17	30	31	32	22	24	26	28	29	21	kgs

*100psi=7.03kg/cm²

*shell tested by hydro, seat tested by air.

Dimension, design and material are subject to change without notice.

